



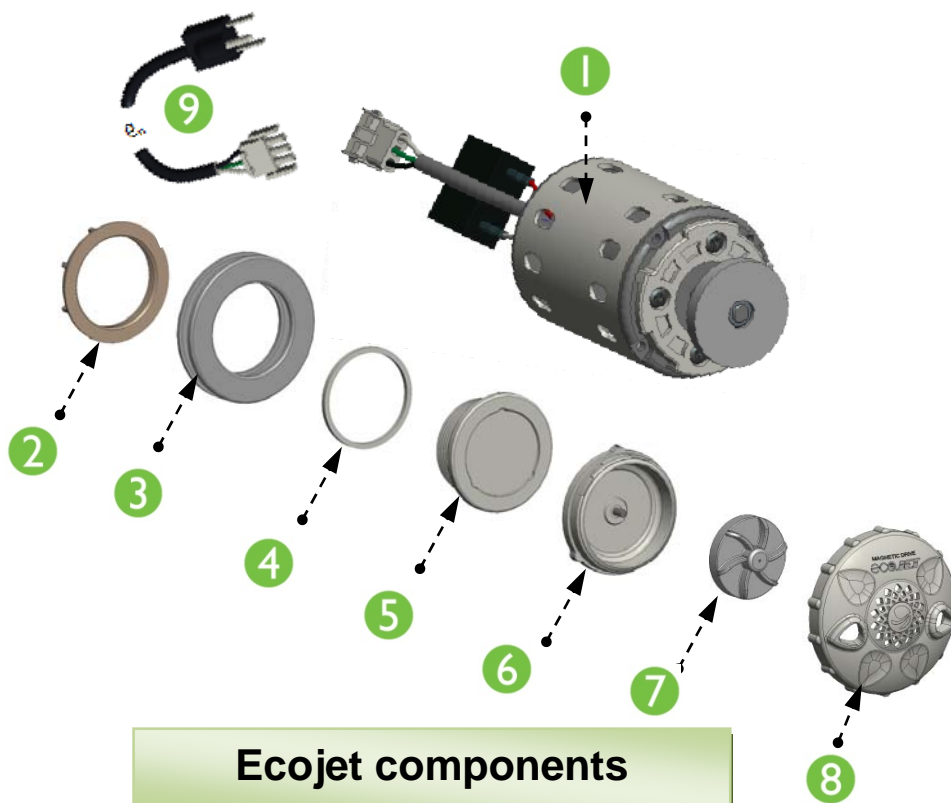
## ECOJET MD MAGNETIC JET INSTALLATION GUIDE

**WARNING: PLEASE READ AND FOLLOW SAFETY INSTRUCTIONS BEFORE USING THE EQUIPMENT. ALWAYS UNPLUG THE EQUIPMENT BEFORE SERVICING TO REDUCE THE RISK OF ELECTRIC SHOCK AND/OR PERSONAL INJURY.**

**NOTE:** Ecojet MD magnetic motor & components are assembled in alignment as illustrated below. Please follow step-by-step instructions. (Rev. 1.2)

### Ecojet MD package contents:

- 1 Ecojet MD Magnetic Motor  
(Part#: EMD-1001)
- 2 Motor Cap Lock-Nut  
(Part#: EMD-2108)
- 3 Universal Adapter (1pc.)  
(Part#: EMD-2107)
- 4 Motor Housing Gasket  
(Part#: EMD-2106)
- 5 Motor Housing  
(Part#: EMD-2105)
- 6 Impeller Housing  
(Part#: EMD-2104)
- 7 Magnetic Impeller  
(Part#: EMD-2103)
- 8 Ecojet Cap Cover  
(Part#: EMD-2101)
- 9 AC Power Cord  
(Part#: EMD-2109)



**Dear Customer,  
We congratulate you on the purchase of this quality product from Ecojet.**

#### 2 YEAR LIMITED WARRANTY

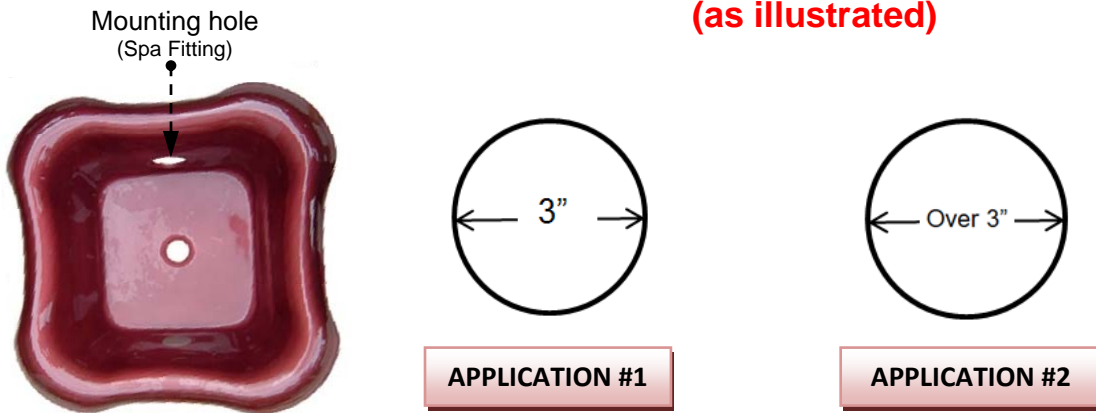
ECOJET will, within two (2) years from date of purchase, repair or replace (at Ecojet's option), the Ecojet magnetic motor free of charge if such movement proves to be defective in material or workmanship under normal use. The magnetic impeller and other components will be warranted for a period of one (1) year under normal usage. This warranty does not cover damage or defects arising from accidents, misuse or neglect, or from any alterations, service or repair performed by any party other than Ecojet or an authorized Ecojet service center.

Please address any Ecojet Warranty claim to an Ecojet Authorized Service Center. For the most current and complete listing, visit [www.ecojetspa.com](http://www.ecojetspa.com)

**CAUTION:** Electrical repairs can be dangerous, especially around water. Repairs must be made by a qualified electrician or spa technician. Regardless of who performs the work, make certain that all electrical power to the pedicure spa is disconnected prior to making any inspections or repairs.

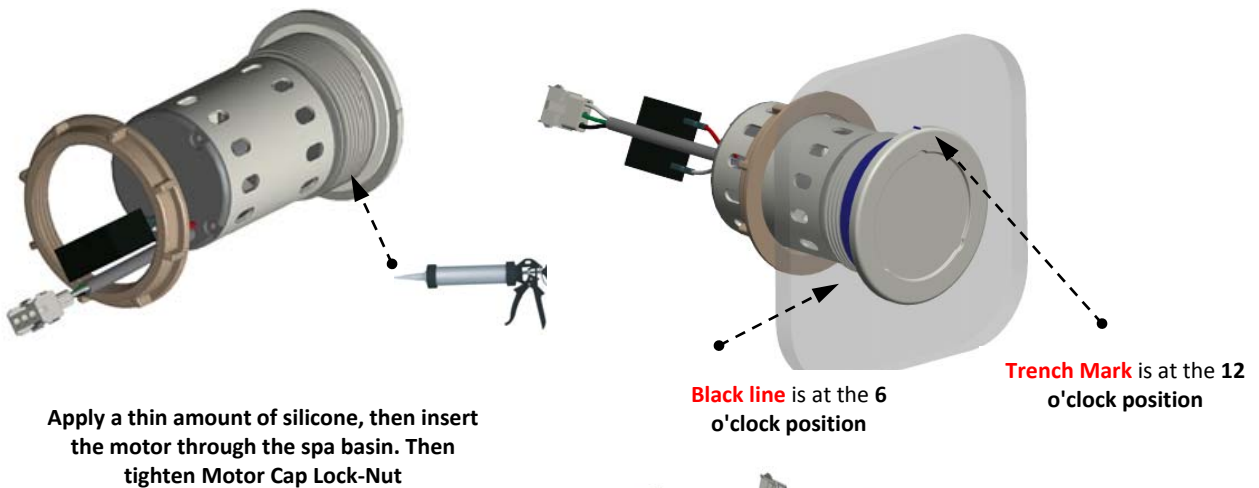
**Shut the power off at the service panel, and as a secondary precaution, disconnect the power to the spa as well. Do not attempt to perform electrical repairs unless you are qualified.**

**\*Determine the correct fitting per application (as illustrated)**

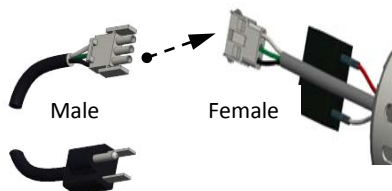


Disconnect the plumbing at the rear of the spa if necessary, and lift the front spa off the floor by one to two feet off the ground or tilt the spa on its side (properly support the spa). Remove the existing motor.

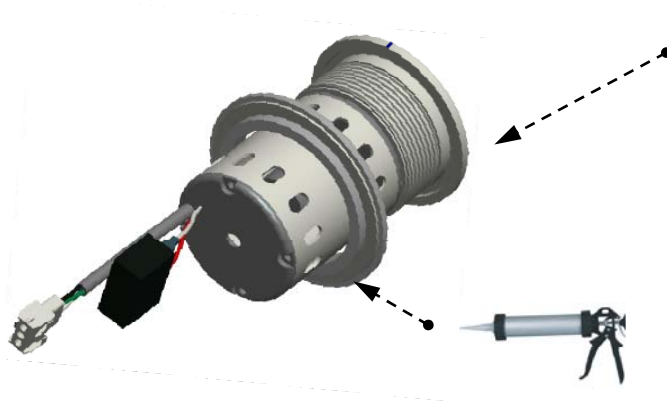
**APPLICATION #1: Installation Procedure**



Connect AC power cord 4-pins male to Ecojet MD 4-pins female plug (Illustrated)



**APPLICATION #2: Installation Procedure**

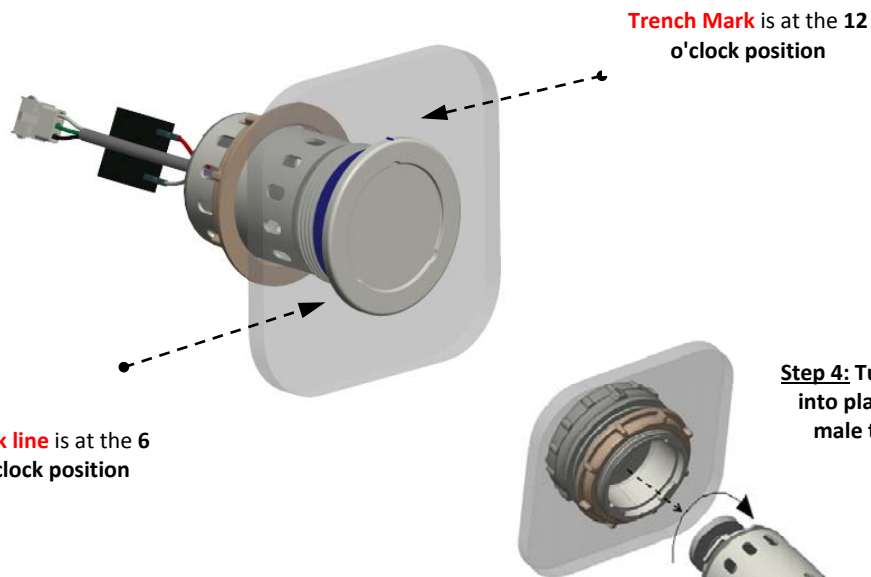


**Step 1:** Slide the Universal Adapter onto Motor Housing.

**Step 2:** Apply thin layer of silicone to the back of the Universal Adapter.

**Step 3:** Slide the Motor Housing through the hole of the spa basin. Slide the Universal Adapter (backside in) onto the Motor Housing, then hand tighten the Motor Cap Lock-Nut.

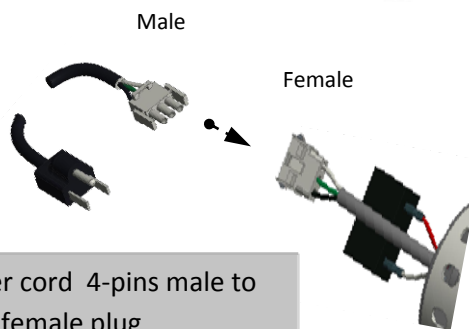
**Important:** please let it set for a period of 1/2 hours



**Trench Mark** is at the 12 o'clock position

**Black line** is at the 6 o'clock position

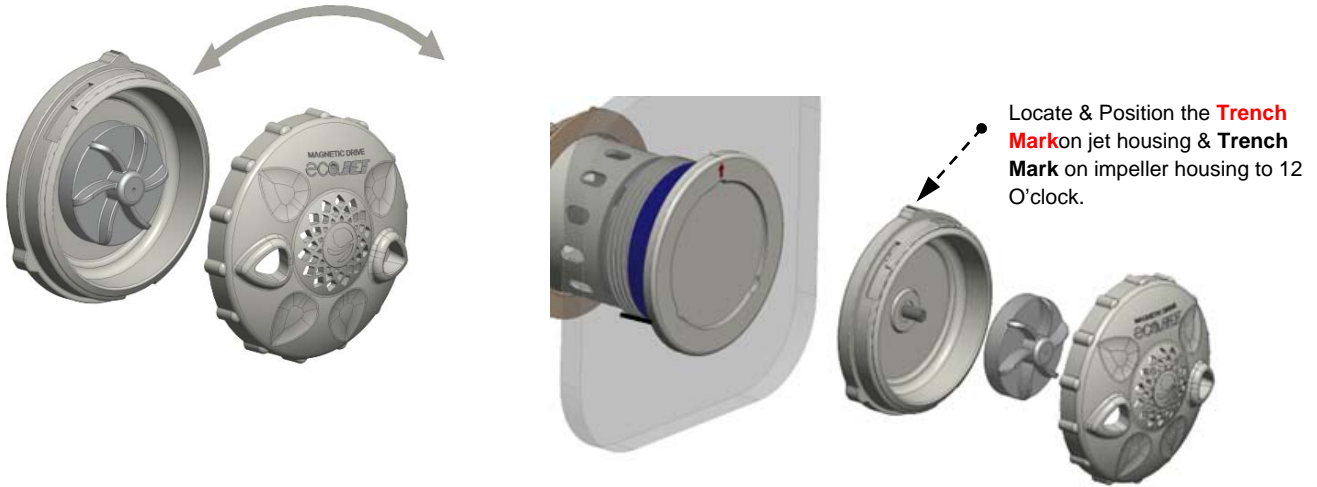
**Step 4:** Turn the motor clockwise until it lock into place. Connect AC power cord 4-pins male to Ecojet MD 4-pins female plug.



Connect AC power cord 4-pins male to Ecojet MD 4-pins female plug (Illustrated)

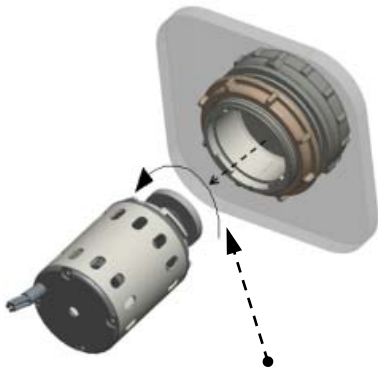
**Installation Procedure (Ready to use)**

**Illustrated below:** Install Ecojet MD Housing set, then line up the top of the Ecojet Cap Cover to the Motor Housing turn it clockwise, to lock it in place. **READY TO USE.**

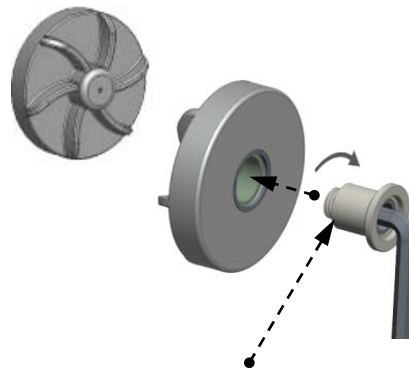


**\* IMPORTANT:** Be sure that the Ecojet Motor is lined up correctly with the Motor Housing.

**FOR PARTS & SERVICE, PLEASE REFER TO [www.ecojetspa.com](http://www.ecojetspa.com)**



To service the Ecojet MD motor, turn the unit counter-clockwise



To service or replace the Ecojet MD impeller bushing, use a 4mm wrench (not included) to removed the bushing. (Part# EMD-2110 optional replacement items)